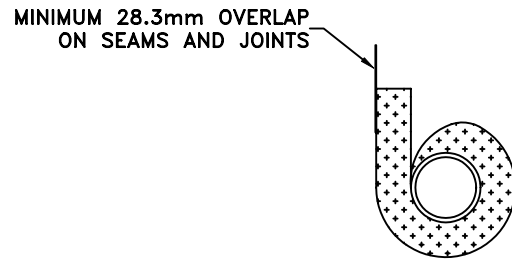
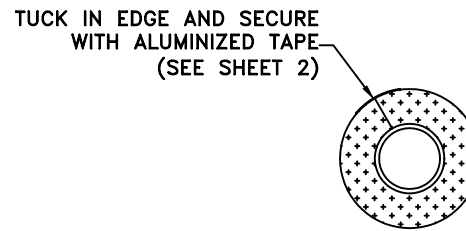


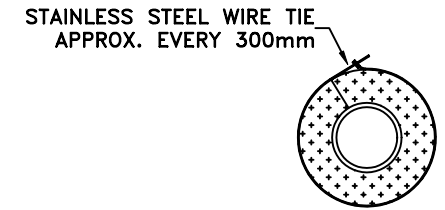
STEP #1
WRAP AROUND PIPE
OVERLAP BY 28.3mm MINIMUM



STEP #2
WRAP INSULATION AROUND PIPE



STEP #3
REMOVE INNER LAYER OF TAPE
TUCK THE EDGES UNDER AND SECURE
WITH ALUMINIZED TAPE



STEP #4
INSTALLED WIRE TIES
APPROX. EVERY 300mm

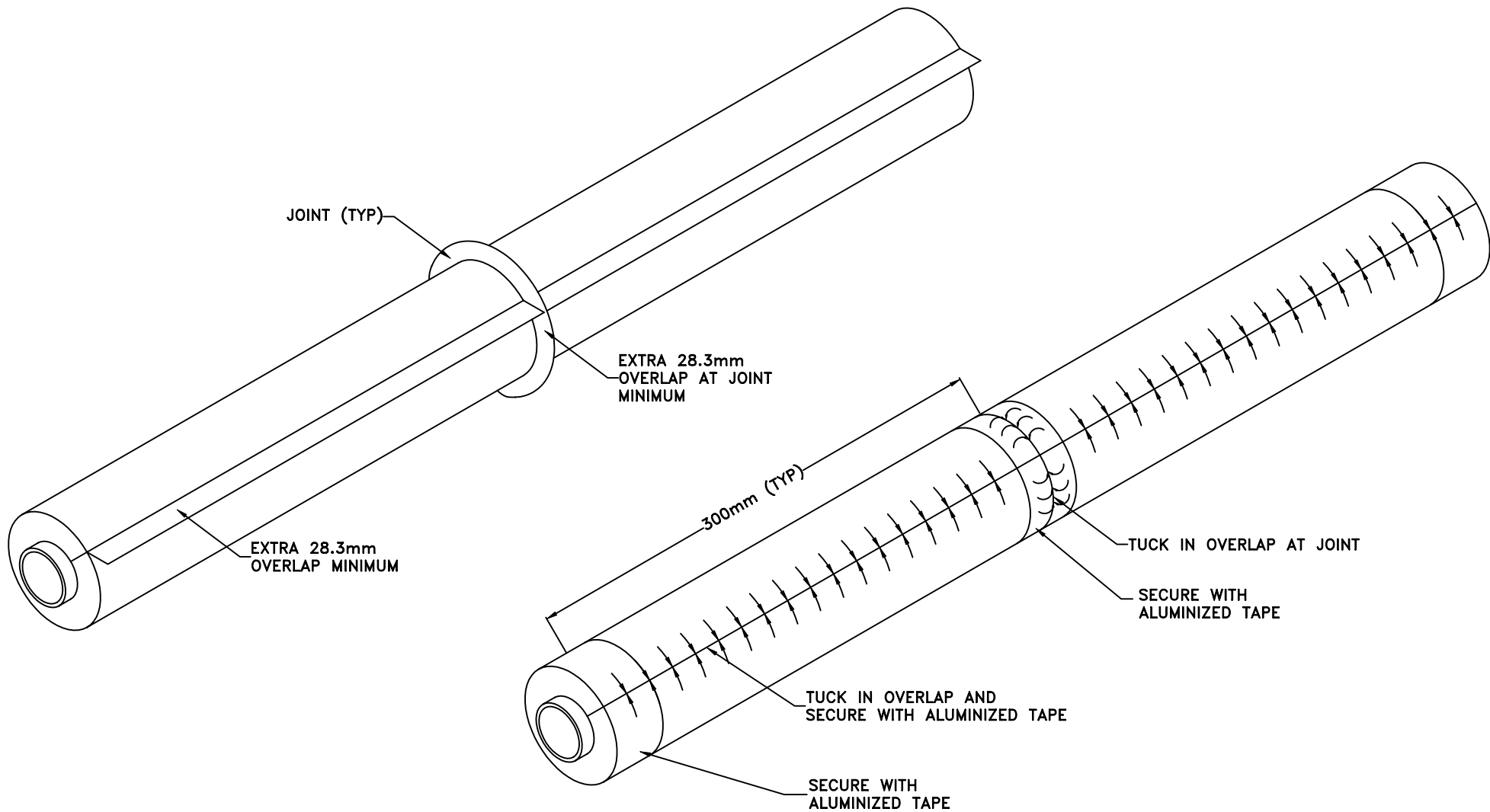
DRAWING APPROVAL	
AS NOTED BY: _____	
APPROVED BY: _____	
DATE: _____	

02	REV STEP 1		
	ADD CALLOUT STEP2	GLW	10-24-11
01	ADDED SH 2 REF.	GLW	10-24-11
00	INITIAL ISSUE	GLW	10-20-11
REV	DESCRIPTION	BY	DATE

ALVEX - PF
Passive Fire Protection



CUSTOMER: PROJECT: ALVEX-PF PASSIVE FIRE PROTECTION SYSTEM TAG: INSTALLATION INSTRUCTIONS		
P.O.NO.:	DWG. NO.: 102011AM01A	SHEET: 1 OF 2
SCALE: NO SCALE	DWG BY: GLW	CHK'D BY: AM
		REV NO.: 02



SEAM AND JOINT DETAILS

DRAWING APPROVAL
 AS NOTED BY: _____
 APPROVED BY: _____
 DATE: _____

REV	DESCRIPTION	BY	DATE
01	EXT. OVERLAP		
	ADDED TAPE	GLW	10-24-11
00	INITIAL ISSUE	GLW	10-24-11

ALVEX - PF
 Passive Fire Protection



CUSTOMER: PROJECT: ALVEX-PF PASSIVE FIRE PROTECTION SYSTEM TAG: INSTALLATION INSTRUCTIONS-SEAM AND JOINT DETAILS		
P.O.NO.:	DWG. NO.: 102011AM01A	SHEET: 2 OF 2
SCALE: NO SCALE	DWG BY: GLW	CHK'D BY: AM
		REV NO.: 01